

Toyota

Hi-Ace City

Hi-Ace Van

Make a good van even better.

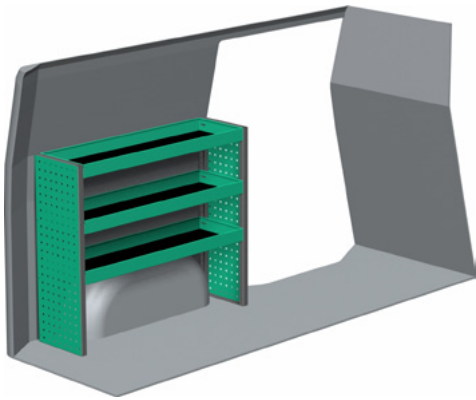
Now you have bought your van, it may be the most important part of your business for years to come. But it's just a shell and you must consider your options for turning it into an effective work tool.

Consider efficiency and safety when loading your van with tools and equipment. Know exactly where things are and know that they will stay in place when you are on the move.

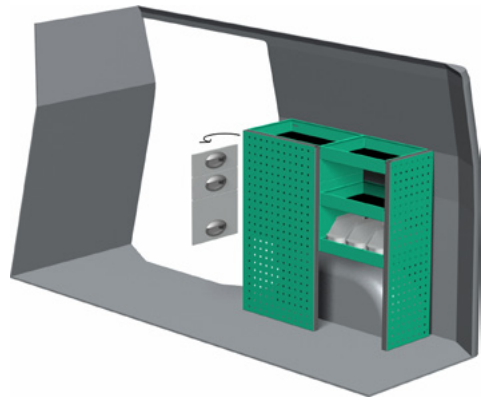
Here at System Edström we've used over 50 years experience to design and manufacture racking packages for your Toyota, choose the one that suits your needs, adding or removing Edström accessories and components to get it right for you.



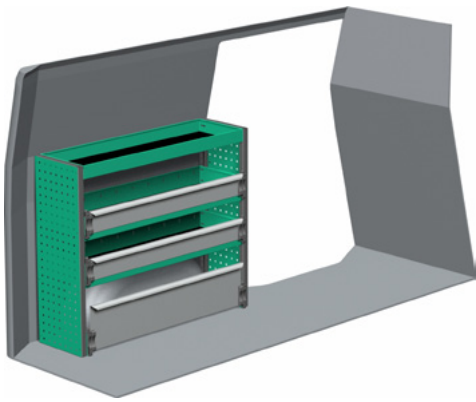
Toyota Hi-Ace City



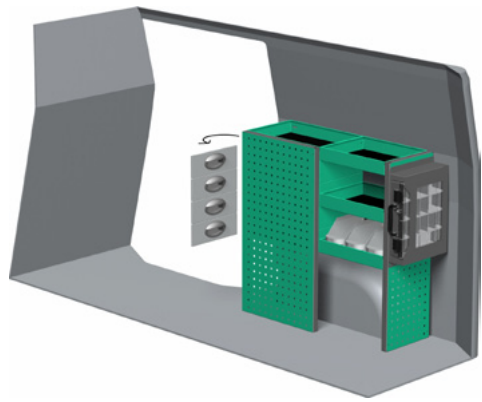
Package number F42080
W x D x H 1063 x 300 x 890 mm • Weight app. 22 kg



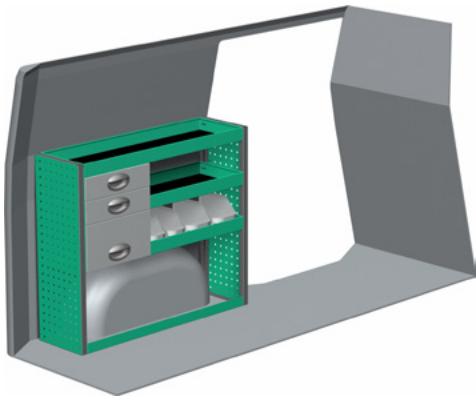
Package number F42081
W x D x H 895 x 300 x 890 mm • Weight app. 31 kg



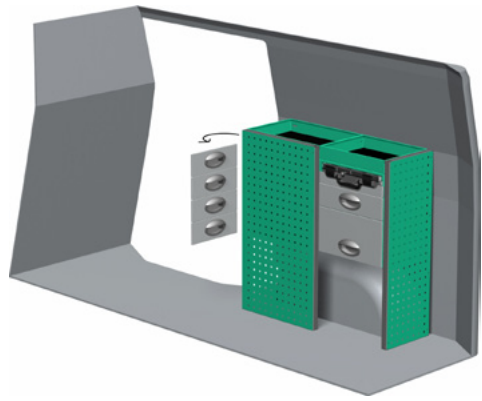
Package number F42082
W x D x H 1063 x 300 x 890 mm • Weight app. 28 kg



Package number F42083
W x D x H 980 x 300 x 890 mm • Weight app. 36 kg

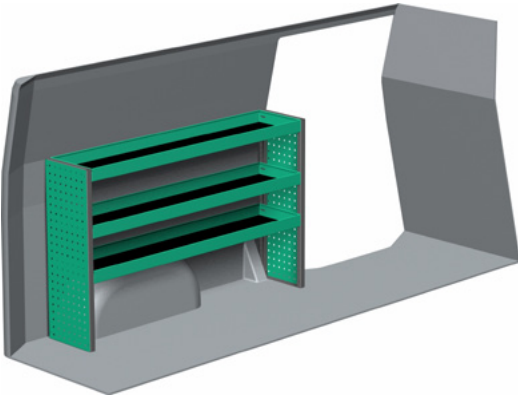


Package number F42084
W x D x H 1063 x 300 x 890 mm • Weight app. 32 kg

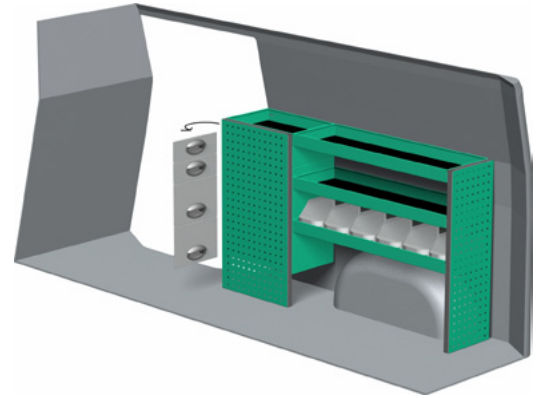


Package number F42085
W x D x H 895 x 300 x 890 mm • Weight app. 42 kg

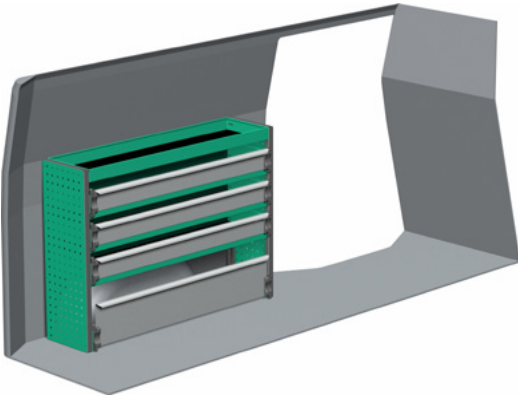
Toyota Hi-Ace Van



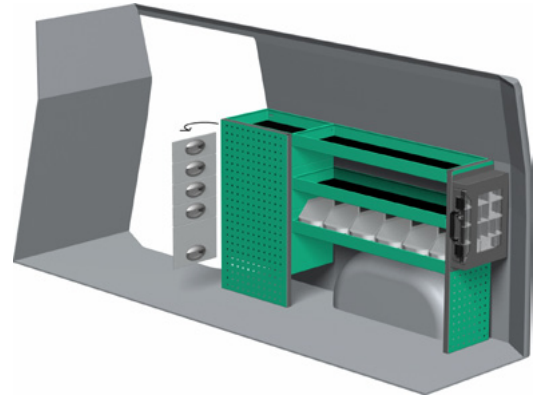
Package number F43000
W x D x H 1455 x 300 x 890 mm • Weight app. 26 kg



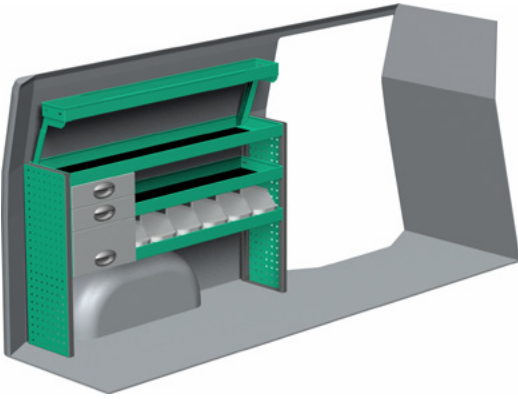
Package number F43001
W x D x H 1500 x 300 x 890 mm • Weight app. 44 kg



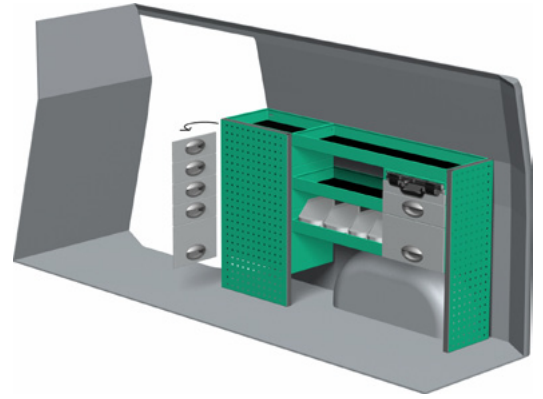
Package number F43002
W x D x H 1242 x 300 x 890 mm • Weight app. 36 kg



Package number F43003
W x D x H 1585 x 300 x 890 mm • Weight app. 49 kg



Package number F43004
W x D x H 1455 x 300 x 890 mm • Weight app. 46 kg



Package number F43005
W x D x H 1500 x 300 x 890 mm • Weight app. 55 kg

Accessories



 <p>Drawer Inserts</p>	 <p>Plastic Bins</p>	 <p>Lighting</p>	 <p>Load Securing</p>
 <p>Vice</p>	 <p>Gas Bottle Holders</p>	 <p>Can/Tube Holder</p>	 <p>Case Support</p>
 <p>Tubo - Pipe Carrier</p>	 <p>Tool Holders</p>	 <p>First Aid</p>	 <p>Roof equipment</p>

Security, Environment & Quality

The company is certified according to SS-EN ISO 9001:2008 to secure the administrative quality and to give us the possibility to keep a high accuracy on deliveries.

Our products are tested in two ways, the first and most important is two crashtests, one (ECE 1707) performed by Milbrook in England and another one performed by Valutec in France (INRS NS289). German TÜV-GS has tested and approved our products regarding function and durability. Learn more about us on our homepage, www.edstrom.se.

All material used in System Edström can be recycled to 100%. We are certified according to SS-EN ISO 14001:2004.



The kits include what you see in the drawing, rubber mats to all shelves and necessary installation parts.

What you can add:

Drawer inserts, lighting kit, tool holders and more.

See us on the internet:

www.systemedstrom.com

Dealer